



ENGINEERING
TOMORROW

Infographic

Actuator selection for PICVs

An interactive selection for all Danfoss AB-QM PICV valves

Pressure Independent Control Valves (PICVs) are commonly used for hydronic balancing and precise temperature control in HVAC heating and cooling systems. The control accuracy, controllers to be used, project price and many more aspects are mostly determined by the selection of the PICV actuator.

There are many actuators that fit the Danfoss AB-QM series of PICV valves. This interactive infographic helps you find the best suited actuator for your projects.

Continue by clicking the buttons below:

Small combinations
DN 15 - DN 32



Large combinations
DN 125 - DN 150



Medium combinations
DN 40 - DN 100

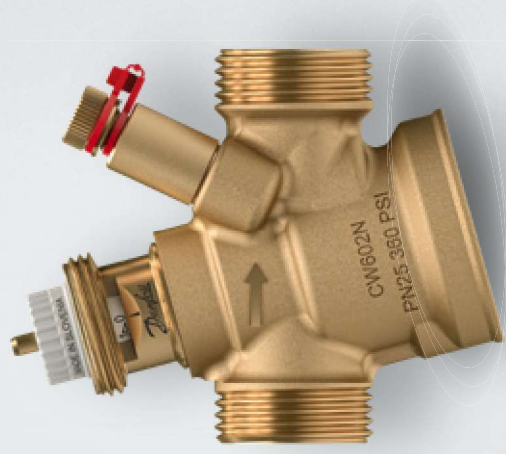


X-large combinations
DN 200 - DN 250



Small combinations for terminal units

AB-QM valves size S



AB-QM 4.0

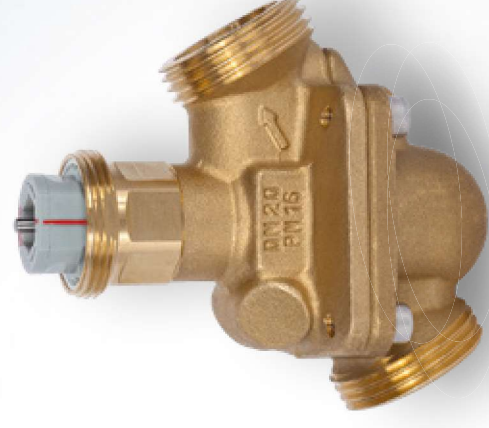
DN	Qmin.	Qnom.
15 LF	20 l/h	200 l/h
15	65 l/h	650 l/h
15 HF	120 l/h	1200 l/h
20	110 l/h	1100 l/h
20 HF	190 l/h	1900 l/h

[Go to datasheet](#)

[Back to front page](#)

Why choose?

- pressure independent control performance
- high accuracy control at full- and partial load conditions
- for heating and cooling systems
- increase HVAC system efficiency



AB-QM

DN	Qmin.	Qnom.
25	340 l/h	1700 l/h
25 HF	540 l/h	2700 l/h
32	640 l/h	3200 l/h
32 HF	800 l/h	4000 l/h

[Go to datasheet](#)

[Actuators size S](#)

Medium combinations for air handling units

AB-QM valves size M

AB-QM NovoCon® for NovoCon M actuator



DN	Qmin.	Qnom.
40 (G 2A)	3 m ³ /h	7,5 m ³ /h
50 (G 2 ½A)	5 m ³ /h	12,5 m ³ /h
50	5 m ³ /h	12,5 m ³ /h
65	8 m ³ /h	20 m ³ /h
65 HF	10 m ³ /h	25 m ³ /h
80	11,2 m ³ /h	28 m ³ /h
80 HF	16 m ³ /h	40 m ³ /h
100	15,2 m ³ /h	38 m ³ /h
100 HF	23,6 m ³ /h	59 m ³ /h

[Go to datasheet](#) >

[Back to front page](#) >

Why choose?

- pressure independent control performance
- high accuracy control of low flows at partial load conditions
- for heating and cooling systems
- increase HVAC system efficiency



AB-QM for AME and AMV actuators

DN	Qmin.	Qnom.
40 (G 2A)	3 m ³ /h	7,5 m ³ /h
50 (G 2 ½A)	5 m ³ /h	12,5 m ³ /h
50	5 m ³ /h	12,5 m ³ /h
65	8 m ³ /h	20 m ³ /h
65 HF	10 m ³ /h	25 m ³ /h
80	11,2 m ³ /h	28 m ³ /h
80 HF	16 m ³ /h	40 m ³ /h
100	15,2 m ³ /h	38 m ³ /h
100 HF	23,6 m ³ /h	59 m ³ /h

[Go to datasheet](#) >

[Actuators size M](#) >

Large combinations for chillers

AB-QM valves size L

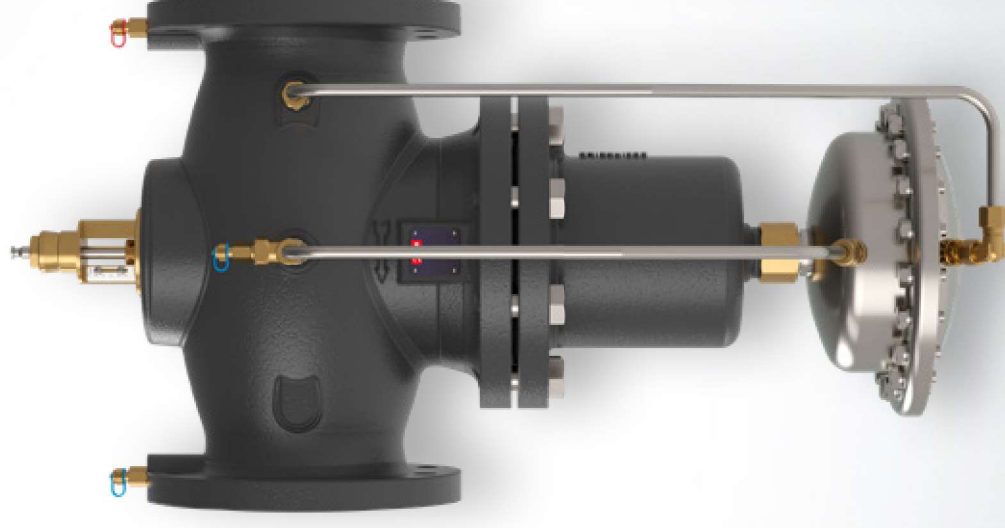
AB-QM

DN	Qmin.	Qnom.
125	36 m ³ /h	90 m ³ /h
125 HIF	44 m ³ /h	110 m ³ /h
150	58 m ³ /h	145 m ³ /h
150 HIF	76 m ³ /h	190 m ³ /h

[Go to datasheet](#)

Why choose?

- pressure independent control performance
- high accuracy control of low flows at partial load conditions
- for heating and cooling systems
- increase HVAC system efficiency



[Back to front page](#)

[Actuators size L](#)

X-large combinations for district cooling

AB-QM valves size XL

AB-QM

DN	Qmin.	Qnom.
200	80 m ³ /h	200 m ³ /h
200 HIF	108 m ³ /h	270 m ³ /h
250	120 m ³ /h	300 m ³ /h
250 HIF	148 m ³ /h	370 m ³ /h

[Go to datasheet](#)

Why choose?

- pressure independent control performance
- high accuracy control of low flows at partial load conditions
- for district energy systems
- increase system efficiency



[Back to front page](#)

[Actuators size XL](#)