

AB-QM™ Pressure Independent Control

AB-QM™ Quick Select Guide

Find valve and actuator combinations with control features to meet your energy saving needs.

Simple

Easily and quickly
find products for any
application.



Stay connected
for the latest in
perfect balance
& control on our
website.

Achieve **Simple, Affordable, Comfort** with easy, energy saving **AB-QM™**.

Engineering Tomorrow since 1933

Through engineering excellence and application expertise, Danfoss offers a broad portfolio of innovative technologies that help meet the world's growing challenges of energy efficiency, and climate-friendly solutions.

AB-QM™ pressure independent control valves deliver **simple affordable comfort** with easy to use, energy saving, reliable products.

Proven Reliability

A reason over seven million have been successfully installed worldwide.

Energy Saving

Through improved flow control performance, AB-QM™ eliminates overflow, solves low ΔT , and optimizes system efficiency, increasing savings.

Easy to Select, Specify & Use

Eliminate excessive design calculation and commissioning processes with AB-QM™.

Key Markets:

- Healthcare
- Education
- Government
- Retrofits

80+

Years of engineering innovations designed to enhance comfort & save energy.



AB-QM™ Features & **Benefits** 5 Year WARRANTY

- **Mechanical pressure independent technology:** Integrated differential pressure regulator for exceptional flow control
- **Easy to select and specify:** No Cv calculations required
- **Energy saving:** Maintain designed ΔT
- **Field adjustable flow setting:** No tools required
- **Tight close-off/clog resistant:** Unique two-stage close off resists debris
- **Unique serviceable design:** With removable tailpieces

User Benefits



Improved tenant comfort for Building Owner



Reduced energy consumption for Facility Manager



Easy Installation for Contractor



Properly balanced system for Balancing Contractor

A Full Range of **Solutions**

Valves:

Danfoss offers a complete range of innovative solutions (½" to 10") to meet your HVAC system's needs for optimal flow control.

Actuators:

Danfoss actuators are designed specifically for AB-QM valves, working seamlessly to enhance performance & reliability while reducing total installed cost.

↕ ½" to 10" Valves



The **Quick Select** Guide



The following guide showcases the full line of AB-QM™ products including which valves and actuators work together, as well as technical details to aid in selecting the correct product. Quickly find code numbers, control features, and required parts for your HVAC system's needs.

Non-Spring Return Controls

For 1/2" to 10" Valves

Control Features						AMI/AMV/AME 120 NL-1			AME/AMV 435		AME 655-1	AME 685-1				
						Control Input	24V, 3-Wire, On/Off	Floating Point	0(2) to 10VDC, 0(4) to 20mA	Floating Point	0(2) to 10VDC, 0(4) to 20mA	Floating Point, 0(2) to 10VDC, 0(4) to 20mA	Floating Point, 0(2) to 10VDC, 0(4) to 20mA			
						Selectable Equal % or Linear			●		●	●	●			
Adjustable α (HEX tuning)					●	●	●	●								
AB-QM™	Size (Inch/ DN mm)	Max Flow (GPM)	Valve Code No.	Flange Type	Tailpiece Code No. (Order 2 per valve)											
					Male NPT	Female Sweat										
	1/2"	15	1.2	003Z1321	Tailpiece Union Connection	003Z0282	003Z0292	●	●	●						
			5.0	003Z1332				●	●	●						
		3/4"	20	7.5				003Z1333	003Z0283	003Z0293	●	●	●			
				12.0				003Z1334	003Z0284	003Z0294	●	●	●			
	1 1/4"	32	17.5	003Z1335	003Z0285	003Z0295	●	●	●							
			33.0	003Z0780	003Z0286	003Z0296				● 1	● 1					
	2"	50	55.0	003Z0781	003Z0287	003Z0297				● 1	● 1					
			85.0	003Z0783	-	-				● 1	● 1					
	2 1/2"	65	110.0	003Z0983	-	-				● 1	● 1					
			120	003Z0784	-	-				● 1	● 1					
3"	80	176	003Z0984	-	-				● 1	● 1						
		165	003Z0785	-	-				● 1	● 1						
4"	100	260	003Z0985	-	-				● 1	● 1						
		395	003Z0905	-	-						● 2					
5"	125	485	003Z0915	-	-						● 2					
		640	003Z0906	-	-						● 2					
6"	150	830	003Z0916	-	-						● 2					
		830	003Z0707	-	-							● 3				
8"	200	1100	003Z0717	-	-						● 3					
		1235	003Z0708	-	-							● 3				
10"	250	1600	003Z0718	-	-							● 3				

Actuator Code No.		082H5003	082H5005	082H5004	082H0162	082H0171	082H5010	082H5013
Product Name		AMI120NL-1	AMV120NL-1	AME120NLX-1	AMV 435	AME 435QM	AME 655-1	AME 685-1
Position Feedback	0(2) to 10 VDC Position Feedback			●		●	●	●
Power Requirements	AC 24 V +10%/-15% at 50/60 Hz	●	●	●				
Electrical Connections	Integrated Micro Switch Indicating Stem Travel Direction	●	●		●	●	●	●
	AC 24 V +10%/-15% at 50/60 Hz -or- DC 24 V +10%/-15%				●	●	●	●
	1/2" Trade Size Wiring Opening for Electrician's Fittings	●	●	●			●	●
Enclosure Rating	M-16 Wiring Opening for M-16 x 1/2" FNPT conduit fitting (order separately)				● 4	● 4	● 4	● 4
	M-20 Wiring Opening for M-20 x 1/2" FNPT conduit fitting (order separately)						●	● 5
	Terminal Block with Screw Terminals	●	●	●	●	●	●	●
Regulatory Agency Approvals	IP 42	●	●	●			●	●
	IP 54				●	●	●	●
	USA UL Listed, CCN XABE, File E480529; to ANSI/UL 60730-1 & ANSI/UL 60730-2-21	●	●	●			●	●
Canada Investigated & approved for plenum use in accordance with UL 2050	●	●	●			●	●	
CE UL Listed, CCN XABE7, File E480529; to CAN/CSA-E60730-1:13 & CAN/CSA-E60730-2-14:18	●	●	●			●	●	
CE Investigated & approved for plenum use in accordance with UL 2050	●	●	●			●	●	
CE CE Mark - Danfoss declares that this product complies with all relevant CE-marking directives	●	●	●	●	●	●	●	●

Electro-Thermal & Non-Electric Controls

For 1/2" to 1 1/4" Valves

Control Features						ABNM/ABNM A5				ABN/ABNM A5							
						Spring Return Stem Up (open)				Spring Return Stem Down (Closed)							
						Control Input	24V On/Off	120V On/Off	0 to 10 VDC	0 to 10 VDC	24V On/Off	24V On/Off	120V On/Off	0 to 10 VDC	0 to 10 VDC		
Linear Characteristic				●						●							
Equal % Characteristic			●					●									
AB-QM™	Size (Inch/ DN mm)	Max Flow (GPM)	Valve Code No.	Flange Type	Tailpiece Kit Code No. (2 required per valve)												
					Male NPT	Female Sweat											
	1/2"	15	1.2	003Z1321	Tailpiece Union	003Z0282	003Z0292	●	●	●	●	●	●	●	●	●	●
			5.0	003Z1332				●	●	●	●	●	●	●	●	●	●
	3/4"	20	7.5	003Z1333	003Z0283	003Z0293	●	●	●	●	●	●	●	●	●	●	
			12.0	003Z1334	003Z0284	003Z0294	●	●	●	●	●	●	●	●	●		
	1 1/4"	32	17.5	003Z1335	003Z0285	003Z0295	●	●	●	●	●	●	●	●	●	●	

Actuator Code No.		082F1151	082F1157	082F1163	082F1165	082F1150	082F1154	082F1156	082F1160	082F1161	
Product Name		ABN A5		ABNM A5		ABN A5			ABNM A5		
Position Feedback	Integrated Micro Switch Indicates 50% Open						●				
Power Requirements	AC 24 V +20%/-10% at 50/60 Hz			●	●				●	●	
	AC 24 V +20%/-10% at 50/60 Hz -or- DC 24 V +20%/-10%	●				●	●				
	AC 120V +10%/-10% at 50/60 Hz		●					●			
Electrical Connections	PVC Wire Lead 36in. (1.0m)						●				
	Selectable (Choose & order separately (A), (B), or (C) below):	●	●	●	●	●		●	●	●	
	PVC Plug-in Cable	Length 3 ft. (1m) Code No. 082F1144	(A)	(A)			(A)		(A)		
		16 ft. (5m) 082F1145	(B)	(B)			(B)		(B)		
		32.8 ft. (10m) 082F1146	(C)	(C)			(C)		(C)		
		3 ft. (1m) 082F1081			(A)	(A)				(A)	(A)
16 ft. (5m) 082F1082				(B)	(B)				(B)	(B)	
32.8 ft. (10m) 082F1083			(C)	(C)				(C)	(C)		
Enclosure Rating	IP 54	●	●	●	●	●	●	●	●	●	
Regulatory Agency Approvals	USA The manufacturer holds a certificate of compliance issued by a Nationally Recognized Testing Laboratory proving compliance to: • UL 60730-2-14:2002 • UL 60730-1:2009 • IEC 60730-2-14/A2:2007 • IEC 60730-1/A2:2007 • IEC 60730-1:2010	●	●	●	●	●	●	●	●	●	
	Europe CE Mark - Danfoss declares that this product complies with all relevant CE-marking directives	●	●	●	●	●	●	●	●	●	●

KEY: AM-PBU25 Battery back-up (Code No. 082H7090) provides power to actuator during power loss: 1. AM-PBU25 - Powers up to four AMV 435 / AME435 QM 2. AM-PBU25 - Powers up to one AME 655-1 3. AM-PBU25 - Powers one AME 685-1 4. Code No. AM-1612-BK 5. Code No. AM-2012-BK

Spring Return Stem Up (Open) Controls

For 1/2" to 10" Valves

Control Features							Control Input					
							Floating Point, 0(2) to 10 VDC, 0(4) to 20 mA					
							Linear Characteristic					
							Selectable Equal % or Linear					
							Adjustable α (HEX tuning)					
							AME 13SU-1					
							AME 25SU					
							AME 658SU-1					
							AME 685-1					
Valves	AB-QM™	Size (Inch/ DN mm)		Max Flow (GPM)	Valve Code No.	Flange Type	Tailpiece Code No. (Order 2 per valve)		AME 13SU-1	AME 25SU	AME 658SU-1	AME 685-1
		Male NPT	Female Sweat									
		1/2"	15	1.2	003Z1321	Tailpiece Union Connection	003Z0282	003Z0292	●			
			5.0	003Z1332	●							
		3/4"	20	7.5	003Z1333		003Z0283	003Z0293	●			
			1"	25	12.0		003Z1334	003Z0284	003Z0294	●		
	1 1/4"	32	17.5	003Z1335	003Z0285	003Z0295	●					
		1 1/2"	40	33.0	003Z0780	003Z0286	003Z0296		● 1			
		2"	50	55.0	003Z0781	003Z0287	003Z0297		● 1			
			2 1/2"	65	85.0	003Z0783	-	-		● 1		
3"		80	120	003Z0784	-	-		● 1				
		176	003Z0984	-	-		● 1					
4"	100	165	003Z0785	-	-		● 1					
	260	003Z0985	-	-		● 1						
	5"	125	395	003Z0905	-	-			●			
		485	003Z0915	-	-			●				
	6"	150	640	003Z0906	-	-			●			
830		003Z0916	-	-			●					
8"	200	830	003Z0707	-	-					● 2		
		1100	003Z0717	-	-					● 2		
	10"	250	1235	003Z0708	-	-				● 2		
		1600	003Z0718	-	-					● 2		

Spring Return Stem Down (Closed) Controls

For 1/2" to 10" Valves

Control Features							Control Input					
							Floating Point, 0(2) to 10 VDC, 0(4) to 20 mA					
							Linear Characteristic					
							Selectable Equal % or Linear					
							Adjustable α (HEX tuning)					
							AME 13SD-1					
							AME 25SD					
							AME 658SD-1					
							AME 685-1					
Valves	AB-QM™	Size (Inch/ DN mm)		Max Flow (GPM)	Valve Code No.	Flange Type	Tailpiece Code No. (Order 2 per valve)		AME 13SD-1	AME 25SD	AME 658SD-1	AME 685-1
		Male NPT	Female Sweat									
		1/2"	15	1.2	003Z1321	Tailpiece Union Connection	003Z0282	003Z0292	●			
			5.0	003Z1332	●							
		3/4"	20	7.5	003Z1333		003Z0283	003Z0293	●			
			1"	25	12.0		003Z1334	003Z0284	003Z0294	●		
	1 1/4"	32	17.5	003Z1335	003Z0285	003Z0295	●					
		1 1/2"	40	33.0	003Z0780	003Z0286	003Z0296			● 1		
		2"	50	55.0	003Z0781	003Z0287	003Z0297			● 1		
			2 1/2"	65	85.0	003Z0783	-	-			● 1	
3"		80	120	003Z0784	-	-			● 1			
		176	003Z0984	-	-			● 1				
4"	100	165	003Z0785	-	-			● 1				
	260	003Z0985	-	-			● 1					
	5"	125	395	003Z0905	-	-				●		
		485	003Z0915	-	-					●		
	6"	150	640	003Z0906	-	-					●	
830		003Z0916	-	-						●		
8"	200	830	003Z0707	-	-						● 2	
		1100	003Z0717	-	-						● 2	
	10"	250	1235	003Z0708	-	-					● 2	
		1600	003Z0718	-	-						● 2	

Actuator Code No.		082H5006	082H3041	082H5012	082H5013	
Product Name		AME 13SU-1	AME 25SU	AME 658SU-1	AME 685-1	
Position Feedback	0(2) to 10 or 0(4) to 20 mA Position Feedback			●	●	
	Integrated 0(2)-10 VDC Position Feedback	●	●			
Power Requirements	AC 24 V +10%/-15% at 50/60 Hz	●	●			
	AC 24 V +10%/-15% at 50/60 Hz -or- DC 24 V +10%/-15%			●	●	
Electrical Connections	1/2" Trade Size Wiring Opening for Electrician's Fittings	●		●	●	
	M-16 Wiring Opening for M-16 x 1/2" FNPT conduit fitting (orderseparately)		● 3	● 3	● 3	
	M-20 Wiring Opening for M-20 x 1/2" FNPT conduit fitting (orderseparately)		● 4	● 4	● 4	
	Terminal Block with Screw Terminals	●	●	●	●	
Enclosure Rating	IP 54	●	●	●	●	
Regulatory Agency Approvals	USA UL Listed, CCN XABE, File E480529; to ANSI/UL 60730-1 & ANSI/UL 60730-2-21 Investigated & approved for plenum use in accordance with UL 2050	●		●	●	
		Canada UL Listed, CCN XABE7, File E480529; to CAN/ CSA-E60730-1:13 & CAN/ CSA-E60730-2-14:18	●		●	●
			Europe CE Mark - Danfoss declares that this product complies with all relevant CE-marking directives	●	●	●

Actuator Code No.		082H5007	082H3038	082H5011	082H5013	
Product Name		AME 13SD-1	AME 25SD	AME 658SD-1	AME 685-1	
Position Feedback	0(2) to 10 or 0(4) to 20 mA Position Feedback			●	●	
	Integrated 0(2)-10 VDC Position Feedback	●	●			
Power Requirements	AC 24 V +10%/-15% at 50/60 Hz	●	●			
	AC 24 V +10%/-15% at 50/60 Hz -or- DC 24 V +10%/-15%			●	●	
Electrical Connections	1/2" Trade Size Wiring Opening for Electrician's Fittings	●		●	●	
	M-16 Wiring Opening for M-16 x 1/2" FNPT conduit fitting (orderseparately)		● 3	● 3	● 3	
	M-20 Wiring Opening for M-20 x 1/2" FNPT conduit fitting (orderseparately)		● 4	● 4	● 4	
	Terminal Block with Screw Terminals	●	●	●	●	
Enclosure Rating	IP 54	●	●	●	●	
Regulatory Agency Approvals	USA UL Listed, CCN XABE, File E480529; to ANSI/UL 60730-1 & ANSI/UL 60730-2-21 Investigated & approved for plenum use in accordance with UL 2050	●		●	●	
		Canada UL Listed, CCN XABE7, File E480529; to CAN/ CSA-E60730-1:13 & CAN/ CSA-E60730-2-14:18	●		●	●
			Europe CE Mark - Danfoss declares that this product complies with all relevant CE-marking directives	●	●	●

KEY: 1. Brass neck adapter is required and must be ordered separately (Code No. 003Z0694) 2. AM-PBU25 - Powers up to one AME 685-1 3. Code No. AM-1612-BK | 4. Code No. AM-2012-BK

KEY: 1. Brass neck adapter is required and must be ordered separately (Code No. 003Z0694) 2. AM-PBU25 - Powers up to one AME 685-1 3. Code No. AM-1612-BK | 4. Code No. AM-2012-BK

Networked & Advanced Energy Management Solutions

For 1/2" to 1 1/4" Valves

NovoCon® S is an intelligent digital actuator that provides precise control and communication between a hydronic system and a Building Management System.

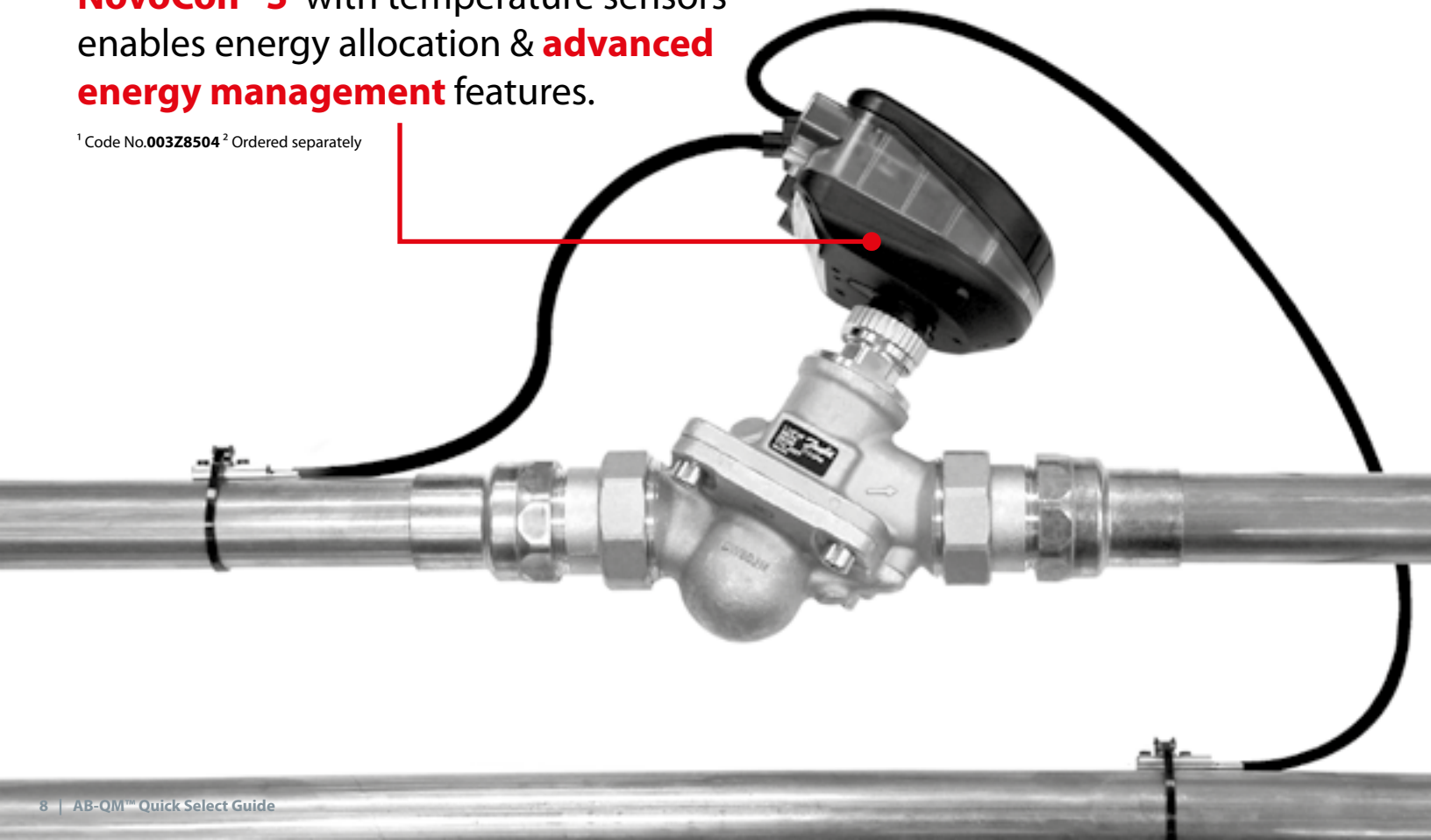
The NovoCon® S connects to the AB-QM™ pressure independent control valve and enables remote control of the system, minimizing commissioning/maintenance time while providing insightful feedback about the system. Simplify energy consumption tracking for ongoing efficiency improvements with AB-QM™ & NovoCon® S.

- Power Limiter
- Power Controller
- Minimum delta T management
- Set delta T control
- Minimum Return T management
- Maximum Return T management
- Set Return T control





NovoCon® S¹ with temperature sensors² enables energy allocation & **advanced energy management** features.

¹ Code No. **003Z8504** ² Ordered separately



Optimize installation, commissioning, system integration and maintenance with **NovoCon® S**.

Control Features							NovoCon® S with Energy Management	
							Non-spring return	
							BACnet MS/TP	
							Modbus TRU	
							Analog Control	
Valves	AB-QM™	Size (Inch/DN mm)		Max Flow (GPM)	Valve Code No.	Tailpiece Kit Code No. (2 required per valve)		
		1/2"	15	1.2	003Z1321	003Z0282	003Z0292	
				5.0	003Z1332			
		3/4"	20	7.5	003Z1333	003Z0283	003Z0293	
				12.0	003Z1334	003Z0284	003Z0294	
1 1/4"	32	17.5	003Z1335	003Z0285	003Z0295			
Actuators								
Actuator Code No.								003Z8504
Product Name								NovoCon® S
Position Feedback		0(2) to 10 VDC Position Feedback Via I/O Cable (order separately)						●
Power Requirements		24 V AC/DC, +25%/-25% at 50-60 Hz						●
Fieldbus Cables (Order Separately)		Selectable (Choose & order separately (A), (B), or (C) below):						●
		Connection to DDC / power		Length	Code No.			
				1.5 m	003Z8600	(A)		
				5 m	003Z8601	(B)		
10 m	003Z8602	(C)						
Daisy chain		Selectable (Choose & order separately (A), (B), (C), or (D) below):						●
		0.5 m	003Z8609	(A)				
		1.5 m	003Z8603	(B)				
		5.0 m	003Z8604	(C)				
10 m	003Z8605	(D)						
Analog Input/ Fieldbus Power Injection Cables (Order Separately)		Selectable (Choose & order separately (A), (B), or (C) below):						●
		Pluggable w/ free wiring end		1.5 m	003Z8606	(A)		
				5 m	003Z8607	(B)		
10 m	003Z8608			(C)				
Distributed I/O Cables (Order Separately)		Pluggable cable w/ 2 PT1000 strap-on temp. sensors		1.5 m	003Z8610	●		
		Pluggable cable w/ 2 PT1000 Immersed/ Universal temp. sensors		1.5 m	003Z8611	●		
		Pluggable I/O cable w/ free wiring end		1.5 m	003Z8612	●		
Accessories (Order Separately)		Thermo-well for immersed temp. sensor (003Z8611) ³		-	087B1192	●		
Enclosure Rating		IP 54 (IP40 Inverted)						●
Regulatory Agency Approvals			Europe	CE Mark - Danfoss declares that this product complies with all relevant CE-marking directives				●
			Worldwide	BTL Listed: BACnet is a registered trademark of ASHRAE. ASHRAE does not endorse, approve or test products for compliance with ASHRAE standards. Compliance of listed products to the requirements of ASHRAE Standard 135 is the responsibility of BACnet International (BI). BTL is a registered trademark of BACnet International.				●

KEY: 1. External thread for thermo-well (Code No. 087B1192) is metric G 1/2A.

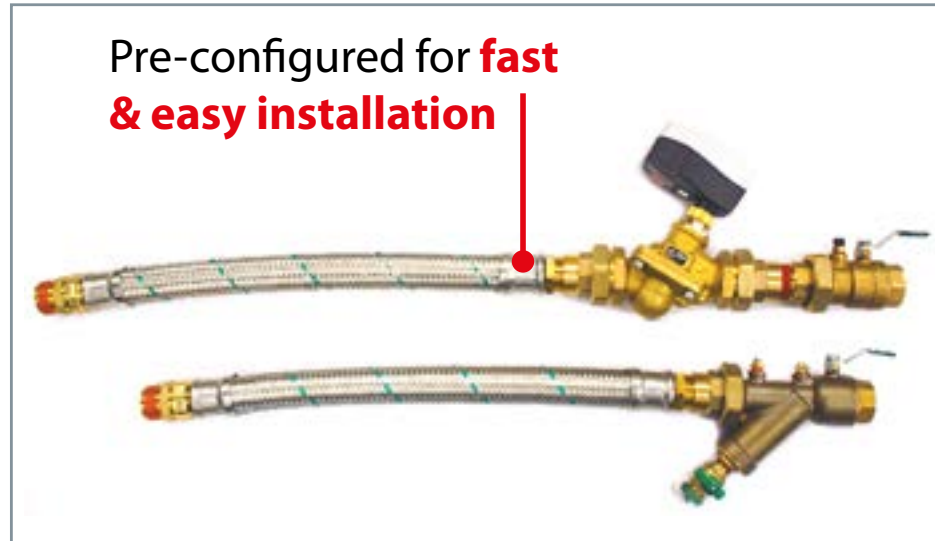
AB-QM™ Hose Packages

For ½" to 2" Valves

Description

Hose packages include:

- Supply Side:
 - combination strainer
 - ball valve
 - union end
 - manual air vent
 - pressure & temp. test plug
- Return Side:
 - combination ball valve
 - union end
 - pressure & temp. test plug
- Two EDPM Reinforced Hose/
Stainless steel braids
- Hose Tailpiece Connections
- Gaskets
- Seals



Pre-Configured Hose Packages from Danfoss simplify the connection of AB-QM™ valves to heat exchanging coils. All tail pieces, gaskets and seals required for installation of the AB-QM™ valve are included in the Hose Packages*.

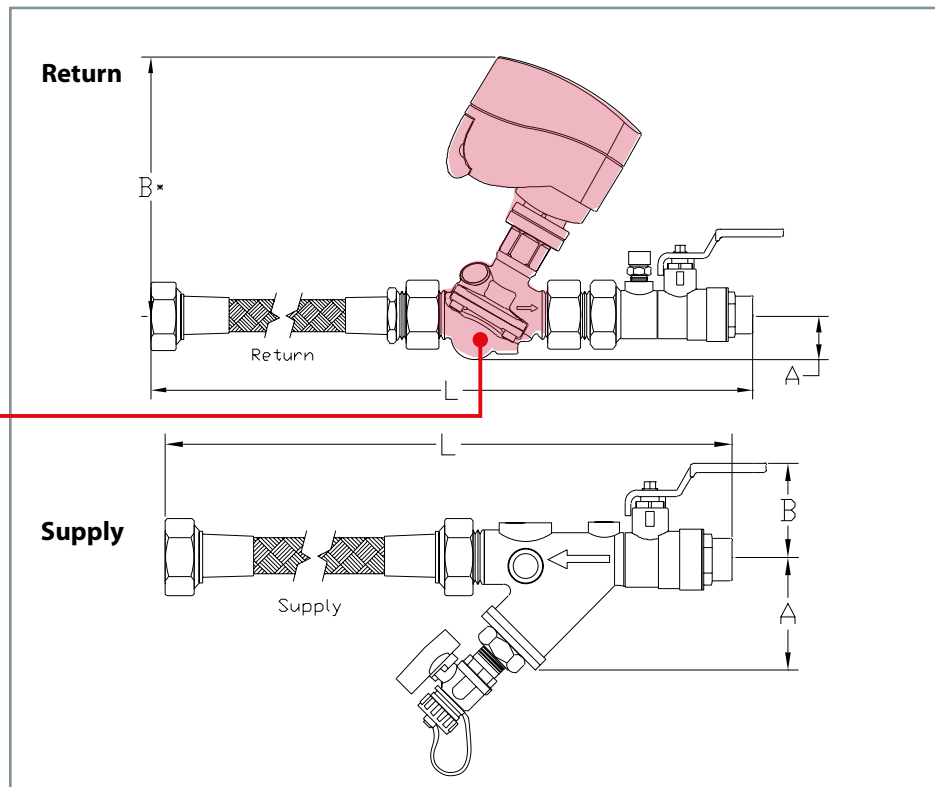
***AB-QM™ valve & actuator are not included in hose packages and must be ordered separately.**

Dimensions

See dimensions columns on page 11.

Drawings are for dimensional/representative illustration characteristics only. Actual product varies based on actuator selection & other variables.

AB-QM™ Valve and Actuator are not included with Danfoss hose packages and must be ordered separately.



Hose Packages *

Female NPT

Sweat

Press

Length	Code No.	Size	Connections			Dimensions (inches) +/-3%						Minimum Bend Radius	Temp. Range (°F)	Working Pressure (PSI)	Weight (lbs.)
			Pipe End	Coil End	Supply			Return							
					L	A	B	L	A	B					
24"	193B1560	½"	Female NPT	Male NPT	29.2	1.6	1.7	31.8	0.9	3-9/16"	5° to 248°	400	2.4		
	193B1561	¾"			30.6	2.4	1.8	33.2	1.3						
	193B1562	1"			30.9	2.4	1.8	34.4	1.7						
	193B1563	1¼"			32.2	3.5	2.5	36.7	1.9						
	193B1564	1½"			32.3	3.5	2.5	35.6	6.65						
	193B1565	2"			35.3	5.1	3.4	37.9	6.65						
36"	193B1566	½"	Female NPT	Male NPT	41.2	1.6	1.7	43.8	0.9	3-9/16"	5° to 248°	400	3.4		
	193B1567	¾"			42.6	2.4	1.8	45.2	1.3						
	193B1568	1"			42.9	2.4	1.8	46.4	1.7						
	193B1569	1-1/4"			44.2	3.5	2.5	48.7	1.9						
	193B1570	1-1/2"			44.3	3.5	2.5	47.6	6.65						
	193B1571	2"			47.3	5.1	3.4	49.9	6.65						
24"	193B1572	½"	Female Sweat	Female Sweat	29.1	1.6	1.7	31.7	0.9	3-9/16"	5° to 248°	400	2.4		
	193B1573	¾"			30.4	2.4	1.8	33.0	1.3						
	193B1574	1"			30.8	2.4	1.8	34.3	1.7						
	193B1575	1¼"			32.0	3.5	2.5	36.5	1.9						
	193B1576	1½"			32.4	3.5	2.5	35.6	6.65						
	193B1577	2"			36.0	5.1	3.4	38.6	6.65						
36"	193B1578	½"	Female Sweat	Female Sweat	41.1	1.6	1.7	43.7	0.9	3-9/16"	5° to 248°	400	3.4		
	193B1579	¾"			42.4	2.4	1.8	45.0	1.3						
	193B1580	1"			42.8	2.4	1.8	46.3	1.7						
	193B1581	1-1/4"			44.0	3.5	2.5	48.5	1.9						
	193B1582	1-1/2"			44.4	3.5	2.5	47.6	6.65						
	193B1583	2"			48.0	5.1	3.4	50.6	6.65						
24"	193B1584	½"	Female Press	Female Sweat	29.5	1.6	1.7	32.0	0.9	3-9/16"	5° to 248°	200	2.4		
	193B1585	¾"			30.8	2.4	1.8	33.3	1.3						
	193B1586	1"			31.1	2.4	1.8	34.4	1.7						
	193B1587	1¼"			34.0	3.5	2.5	38.5	1.9						
	193B1588	1½"			37.1	3.5	2.5	37.8	6.65						
	193B1589	2"			38.0	5.1	3.4	40.5	6.65						
36"	193B1590	½"	Female Press	Female Sweat	41.5	1.6	1.7	44.0	0.9	3-9/16"	5° to 248°	200	3.4		
	193B1591	¾"			42.8	2.4	1.8	45.3	1.3						
	193B1592	1"			43.1	2.4	1.8	46.4	1.7						
	193B1593	1-1/4"			46.0	3.5	2.5	50.5	1.9						
	193B1594	1-1/2"			49.1	3.5	2.5	49.8	6.65						
	193B1595	2"			50.0	5.1	3.4	52.5	6.65						

Refer to Datasheet for AB-QM™ Pressure Independent Control Valves

KEY: * Valve and actuator must be ordered separately.

Danfoss offers the full portfolio, to fit your **energy saving** needs.

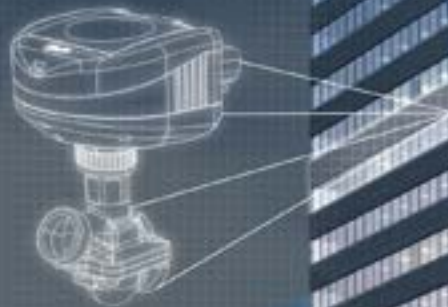
Danfoss has been engineering pressure independent control excellence for over 30 years. In addition, Danfoss also offers the full portfolio of energy saving products to compliment AB-QM™ valves. Our products help improve HVAC system efficiency, enhance comfort and save energy.

Contact your local representative today to learn more.

- **Sondex® Heat Exchangers**
- **District Energy Solutions**
- **Thermostatic Radiator Valves**
- **VLT® & VACON® Drives**
- **Turbocor® Centrifugal Compressors**

Save

Improve HVAC system efficiency with solutions from Danfoss.



Danfoss

Tel.: 1-888-DANFOSS (326-3677) . Email: heating.cs.na@danfoss.com . www.heating.danfoss.us . www.ABQMvalves.com

Danfoss can accept no responsibility for possible errors in catalogs, brochures, and other printed material. Danfoss reserves the right to alter its products without notice. This also applies to products already on order provided that such alterations can be made without subsequential changes being necessary in Specifications already agreed. All trademarks in this material are property of the respective companies. Danfoss and the Danfoss logotype are trademarks of Danfoss A/S. All rights reserved.