

## Data sheet

# Actuators for three point control AMV 55, AMV 56

## Description



The actuators are used with valves:

- VFM2 (DN 65-150) only in combination with AMV 55,
- VFS 2 (DN 15-50) only in combination with AMV 56 and clutch **065Z7551**,
- VFS 2 (DN 65-100),
- VL 2/3 (DN 100),
- VF 2/3 (DN 100-150),
- VL 2/3 & VF 2/3 (DN 65, 80) only in combination with AMV 56 and adapter **065Z0312**,
- AFQM (DN 65-125) and AFQM 6 (DN 40-50).

**Features:**

- Load related "switch off" function that prevents overloading
- Optional auxiliary switches, feedback potentiometer and valve stem heater are available.

**Main data:**

- Nominal voltage:  
24 VAC 50/60 Hz,  
230 VAC 50/60 Hz,
- Control input signal: 3 point
- Force:  
2000 N (AMV 55),  
1500 N (AMV 56)
- Stroke: 40 mm
- Speed:  
8 s/mm (AMV 55),  
4 s/mm (AMV 56)
- Max. medium temperature: 200 °C
- Manual operation

## Ordering

**Actuators**

Type	Power supply	Code No.
AMV 55	24 VAC	<b>082H3020</b>
AMV 55	230 VAC	<b>082H3021</b>
AMV 56	24 VAC	<b>082H3023</b>
AMV 56	230 VAC	<b>082H3024</b>

**Accessories<sup>1)</sup>**

Type	Code No.
Potentiometer (10 kΩ/30 mm)	<b>082H7035</b>
Potentiometer (10 kΩ/40 mm)	<b>082H7036</b>
Potentiometer (1 kΩ/30 mm)	<b>082H7038</b>
Potentiometer (1 kΩ/40 mm)	<b>082H7039</b>
Additional switches (2×)	<b>082H7037</b>
Stem heater 24 V AC/DC (VF, VL valves DN 65-80)	<b>065Z0315</b>
Stem heater 24 V AC/DC (VF, VL valves DN 100 and VFS2 valves DN 15-50)	<b>065Z7020</b>
Stem heater 24 V AC/DC (VF valves DN 125, 150 and VFS valves DN 65-100)	<b>065Z7022</b>
AMV 56 adapter (VF, VL valves DN 65,80)	<b>065Z0312</b>
AMV 56 clutch (VFS 2 DN 15-50)	<b>065Z7551</b>

<sup>1)</sup> only one potent. or add. switches can be added)

Technical data

Type		AMV 55	AMV 56
Power supply	V	24, 230; ± 10 %	
Power consumption	VA	7	17,5
Frequency	Hz	50/60	
Control input		3-point	
Close of force	N	2000	1500
Max. stroke	mm	40	
Speed	s/mm	8	4
Max. medium temperature		200	
Ambient temperature	°C	0 ... 55	
Storage and transport temperature		-40 ... 70	
Ambient humidity		95 % r.h., non-condensing	
Protection class		I (230 V); III (24 V)	
Grade of enclosure		IP 54	
Weight	kg	3,8	
- marking in accordance with the standards		Low Voltage Directive (LVD) 2014/35/EU: EN 60730-1, EN 60730-2-14 Electromagnetic Compatibility Directive (EMC) 2014/30/EU: EN 61000-6-2, EN 61000-6-3	

Installation

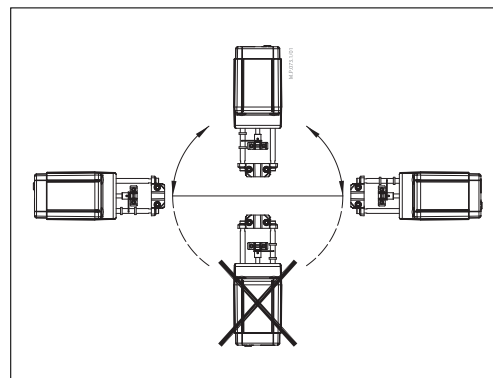
**Mechanical**

The actuator should be mounted with the valve stem (use a 4 mm Allen key -not supplied) in either horizontal position or pointing upwards. Use a M8/SW13 key (not supplied) to fit the actuator to the valve body. Allow for necessary clearance for maintenance purposes.

The valve has position indication rings which should be pushed together before commissioning; after stroking they indicate the ends of the stroke.

**Electrical**

Electrical connections can be accessed by removing the cover. Two M16 × 1,5 cable entries are provided. Both entries are provided with a rubber grommet for use with flexible cable. Note that in order to maintain the enclosure IP rating, appropriate cable glands must be used.



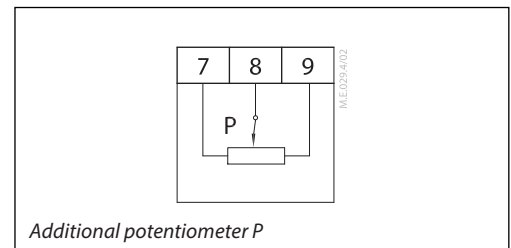
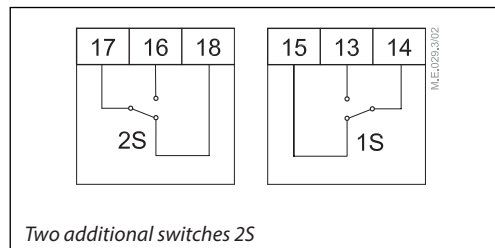
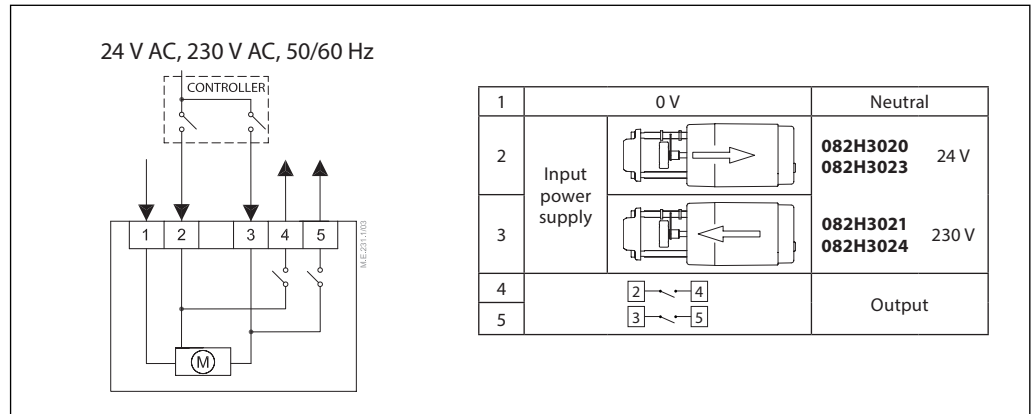
Disposal

The actuator must be dismantled and the elements sorted into various material groups before disposal.

**Wiring**



**230 Vac version:**  
Do not touch anything on the PCB! Lethal voltage!



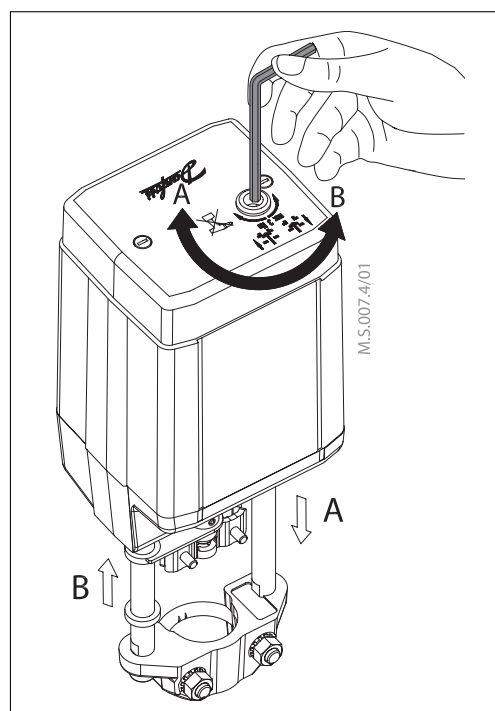
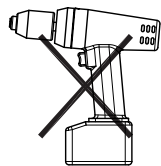
**Commissioning**

The following mechanical and electrical installation and the necessary checks and tests are to be completed in order to commission the unit:

- Turn on the power.
- Set the appropriate control signal and check the valve stem direction is correct for the application.

The unit is now fully commissioned.

**Manual override**



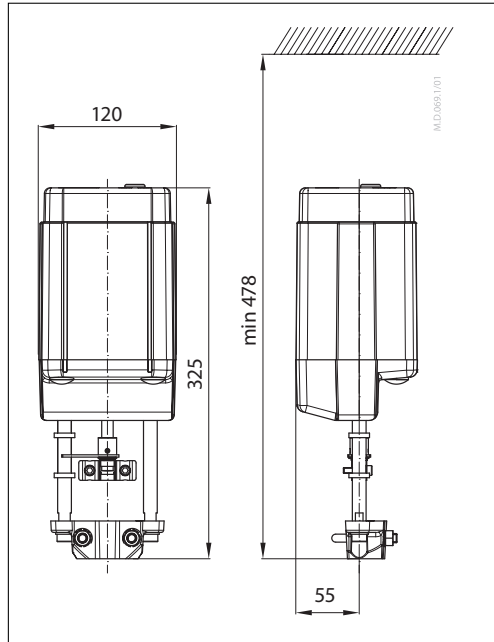
The manual override is applied by rotating the 4 mm Allen key (not supplied) to the required position. Observe the direction of the rotation symbol.

- Disconnect control signals
- Adjust valve position using an Allen key
- Set valve to closed position
- Restore control signals

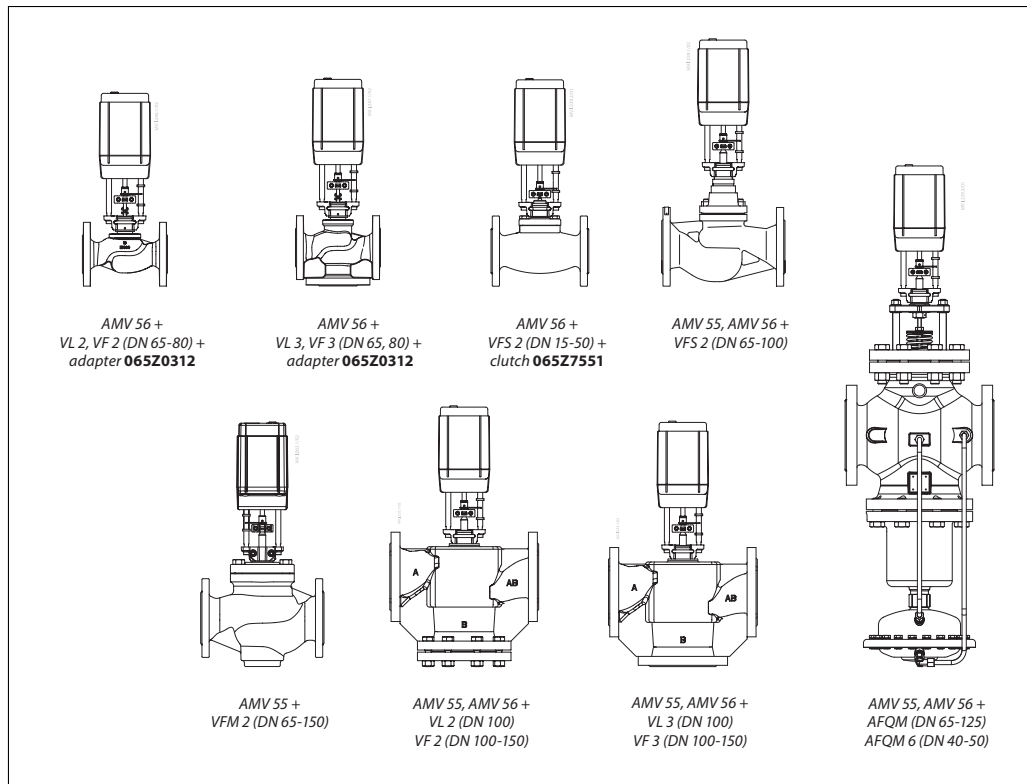
Data sheet

Actuators for three point control AMV 55, AMV 56

Dimensions



Actuator - valve combinations



Danfoss can accept no responsibility for possible errors in catalogues, brochures and other printed material. Danfoss reserves the right to alter its products without notice. This also applies to products already on order provided that such alterations can be made without subsequential changes being necessary in specifications already agreed. All trademarks in this material are property of the respective companies. Danfoss and the Danfoss logotype are trademarks of Danfoss A/S. All rights reserved.