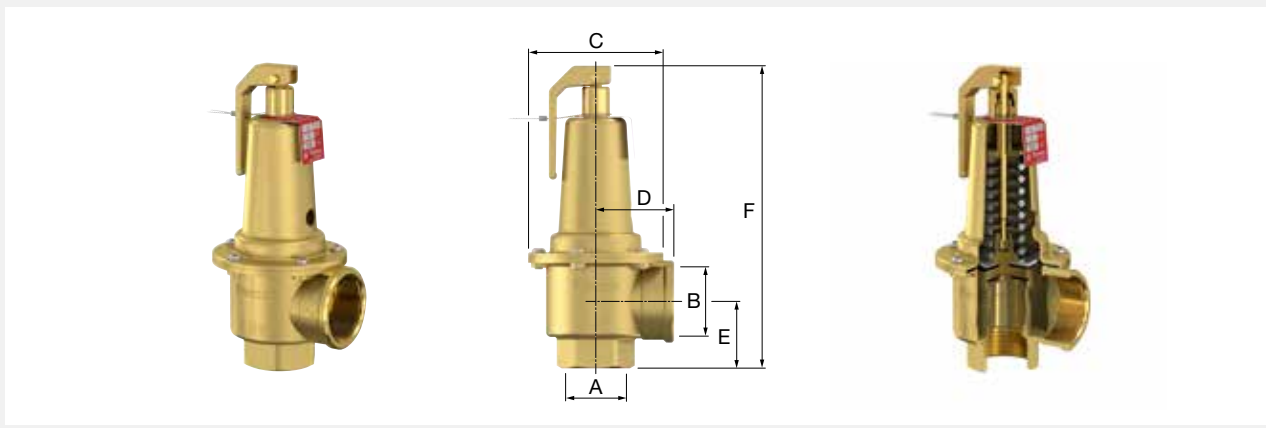



Prescor S

For sealed central heating and chilled water (cooling) installations.

- Ideal safeguard for larger systems.
- More than one Prescor S safety valve may be fitted to a system so that it can meet the required capacity if the applicable regulations allow.
- With diaphragm that protects the spring, preventing water leakage via the spindle.
- Minimum/Maximum working temperature: -10 °C / 120 °C.
- Suitable for addition of glycol-based anti-freeze up to 50%.



Type	Set pressure [bar]	Connection		Dimensions				Heating capacity [kW]		Order Code
		A	B	C [mm]	D [mm]	E [mm]	F [mm]			
Prescor S 700 1 1/4	3.0	1 1/4" F	1 1/2" F	95	55	47	213	810	1	29203
Prescor S 700 1 1/4	3.5	1 1/4" F	1 1/2" F	95	55	47	213	911	1	29204
Prescor S 700 1 1/4	4.0	1 1/4" F	1 1/2" F	95	55	47	213	1013	1	29205
Prescor S 700 1 1/4	4.5	1 1/4" F	1 1/2" F	95	55	47	213	1117	1	29206
Prescor S 700 1 1/4	5.0	1 1/4" F	1 1/2" F	95	55	47	213	1220	1	29207
Prescor S 700 1 1/4	6.0	1 1/4" F	1 1/2" F	95	55	47	213	1426	1	29208
Prescor S 700 1 1/4	7.0	1 1/4" F	1 1/2" F	95	55	47	213	1632	1	29209
Prescor S 700 1 1/4	8.0	1 1/4" F	1 1/2" F	95	55	47	213	1839	1	29210
Prescor S 700 1 1/4	10.0	1 1/4" F	1 1/2" F	95	55	47	213	2252	1	29211
Prescor S 960 1 1/2	3.0	G 1 1/2" F	G 2" F	95	60	47	220	1120	1	29223
Prescor S 960 1 1/2	3.5	G 1 1/2" F	G 2" F	95	60	47	220	1289	1	29224
Prescor S 960 1 1/2	4.0	G 1 1/2" F	G 2" F	95	60	47	220	1435	1	29225
Prescor S 960 1 1/2	4.5	G 1 1/2" F	G 2" F	95	60	47	220	1581	1	29226
Prescor S 960 1 1/2	5.0	G 1 1/2" F	G 2" F	95	60	47	220	1727	1	29227
Prescor S 960 1 1/2	6.0	G 1 1/2" F	G 2" F	95	60	47	220	2019	1	29228
Prescor S 960 1 1/2	7.0	G 1 1/2" F	G 2" F	95	60	47	220	2312	1	29229
Prescor S 960 1 1/2	8.0	G 1 1/2" F	G 2" F	95	60	47	220	2604	1	29230
Prescor S 960 1 1/2	10.0	G 1 1/2" F	G 2" F	95	60	47	220	3188	1	29231
Prescor S 1700 2	3.0	G 2" F	G 2 1/2" F	127	85	76	293	1980	1	29243
Prescor S 1700 2	3.5	G 2" F	G 2 1/2" F	127	85	76	293	2259	1	29244
Prescor S 1700 2	4.0	G 2" F	G 2 1/2" F	127	85	76	293	2515	1	29245
Prescor S 1700 2	4.5	G 2" F	G 2 1/2" F	127	85	76	293	2772	1	29246
Prescor S 1700 2	5.0	G 2" F	G 2 1/2" F	127	85	76	293	3028	1	29247
Prescor S 1700 2	6.0	G 2" F	G 2 1/2" F	127	85	76	293	3540	1	29248
Prescor S 1700 2	7.0	G 2" F	G 2 1/2" F	127	85	76	293	4053	1	29249
Prescor S 1700 2	8.0	G 2" F	G 2 1/2" F	127	85	76	293	4565	1	29250
Prescor S 1700 2	10.0	G 2" F	G 2 1/2" F	127	85	76	293	5590	1	29251
Prescor S 600 1 1/2 *	3.0	G 1 1/2" F	G 2" F	95	60	47	220	600	1	29521
Prescor S 900 2 *	3.0	G 2" F	G 2 1/2" F	95	80	61	278	900	1	29531

* Produced according to TRD directives.

